

Specification of: RVM F1-3535-4W-05-J

Centrifugal roof fan RVM with HIGH EFFICIENCY motor in efficiency class IE2 (IEC 60034-30)

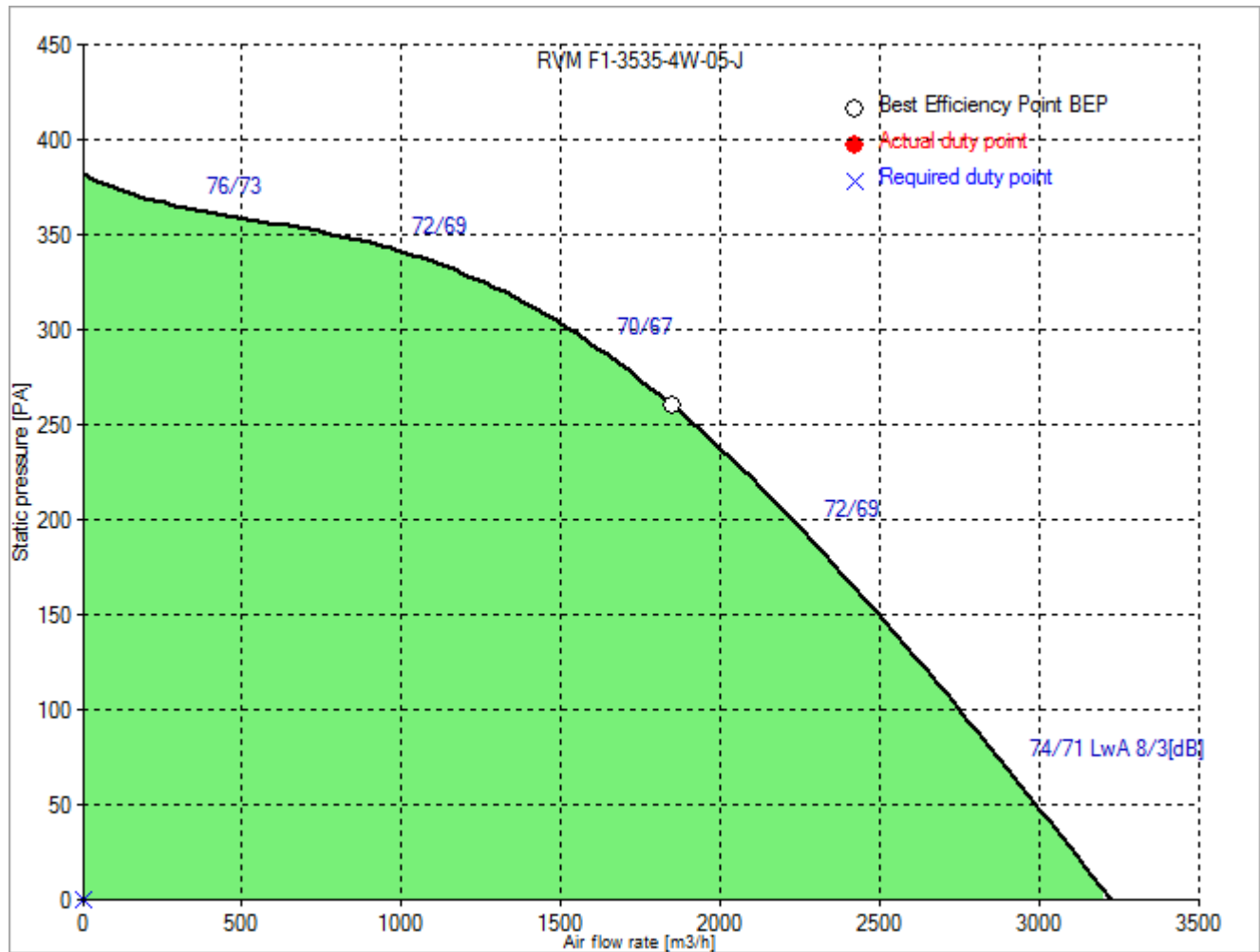
Vertical discharge, suitable for medium temperatures from -20 °C to +40 °C Motor protection hood made of black plastic material. Well-shaped v-casing of zinc coated sheet steel. Base frame of galvanized sheet steel for fitting to upstand, projecting well beyond the upstand in order to increase weatherproofing. Flange connection at intake acc. to DIN 24155-2 Protection grid at discharge Newly developed high performance impeller with optimized shape and highest efficiency, comprising six backward curved hollow section true aerofoil blades with real turbulence profile and rounded, inclined blade leading edges from impeller shroud to back plate, for optimal impact over the entire width of the blade. Impeller made of high tensile sheet steel in an automated manufacturing process, robotic welding, degreased, iron phosphated and coated with a high quality epoxy-polyester mixed powder, fastened with a clamping bush to the shaft of the foot motor, balanced statically and dynamically according to DIN ISO 21940-11. Attached internal rotor motor, IM B5 mounting arrangement, with efficient asynchronous technology with 3 PTCs suitable for operation on the drive (VFD), optimally coordinated with the high performance impeller. Meets the efficiency requirements of Regulation EU1253/2014 for ventilation units. Operation directly from the mains is not allowed in Europe. It is recommended to use a Danfoss-VFD drive of series FC-102. Alternatively, speed-adaptation through electronically Voltage-Variation also possible. Service switch fitted available as an accessory Performance data in according DIN 24166 tolerance class 2 (BS 848 Class "B").

Technical data of the fan: RVM F1-3535-4W-05-J

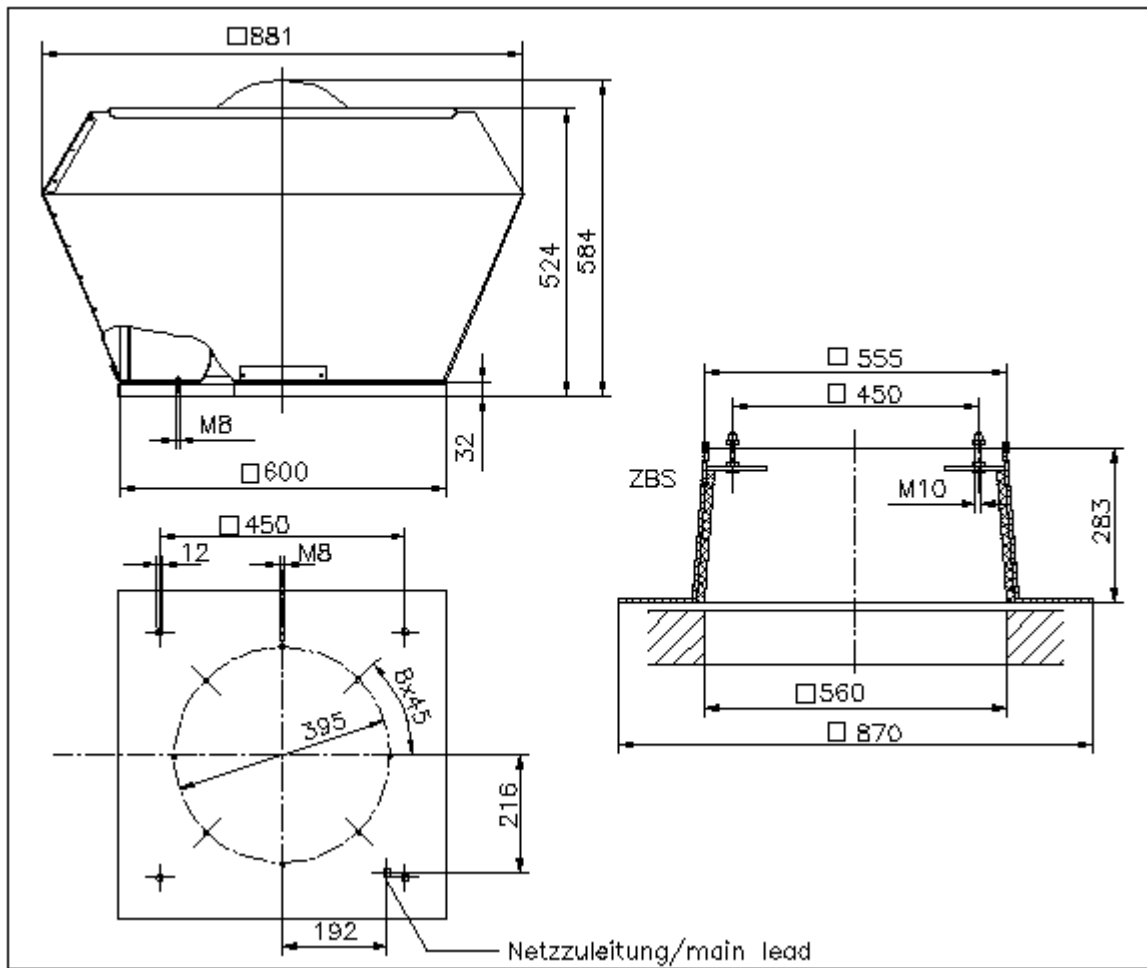
fulfills the ErP requirements 2018 at BEP

Description	Value Dimension
Specified duty point	
Actual duty point	
Installation acc. DIN 24163 Part 1	A
Reference density (Rho1)	1.20 kg/m³
Medium temperature (t)	20 C
Fan weight	37 kg
Rated data	
Phases-Voltage-Frequency	3~230/400-50 V-Hz
Frame size-poles:	63 / IE2-4
Motor rating (P _N)	0.18 kW
Rated motor speed (n _N)	1350 min ⁻¹
Rated motor current (I _N)	0.95/0.55 A
operational limits	
Max. absorbed power (P _{1max})	0.29 kW
Max. fan speed (n _{vmax})	1500 min ⁻¹
Max. operating frequency (f _{max})	50 Hz
Temperature range of conveying medium (t _{min} ... t _{max})	-20...40 C

Fan curve to RVM F1-3535-4W-05-J



Dimensions to RVM F1-3535-4W-05-J



Rotation:
Handing:

RD
90